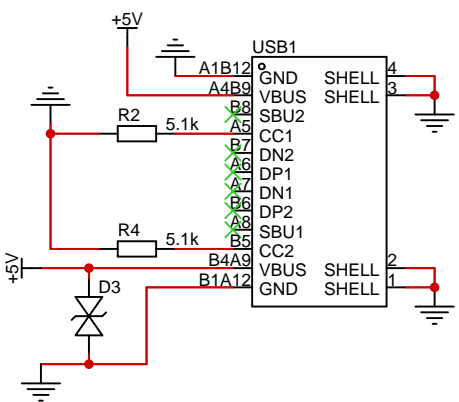
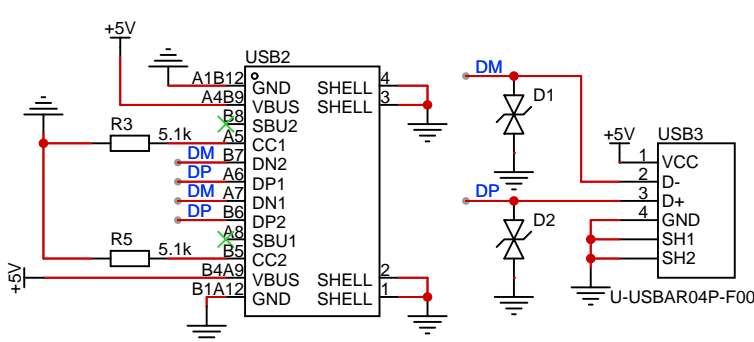


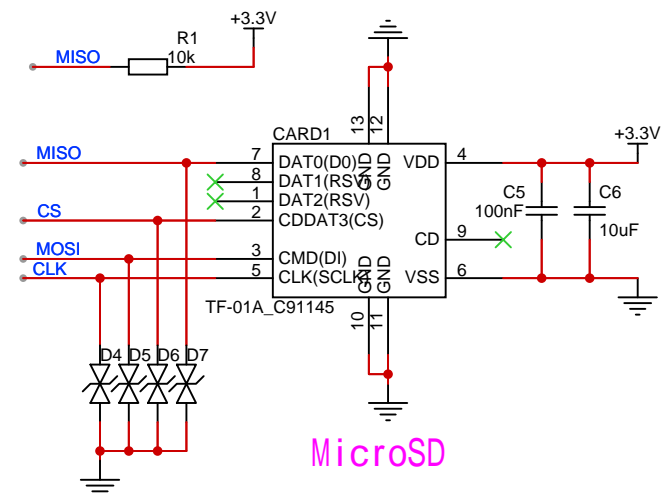
Touch Module



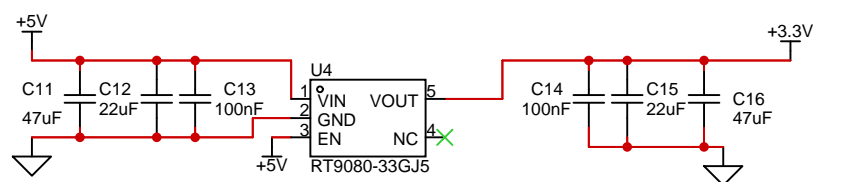
Type-C Power Module



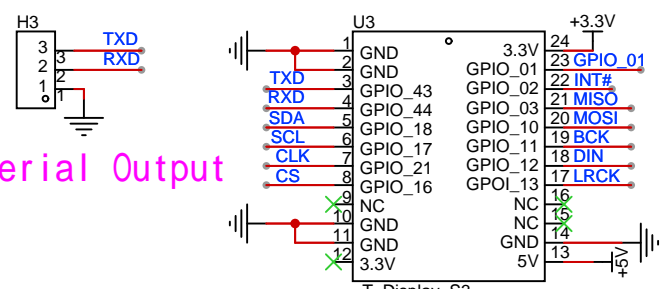
Type-C+USBA



MicroSD



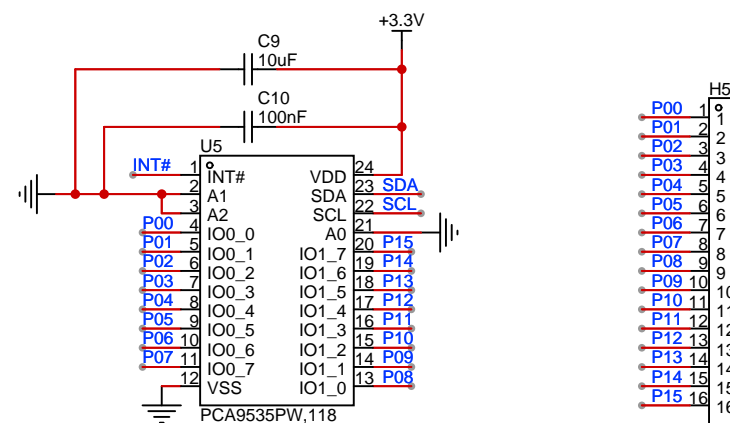
5V To 3.3V



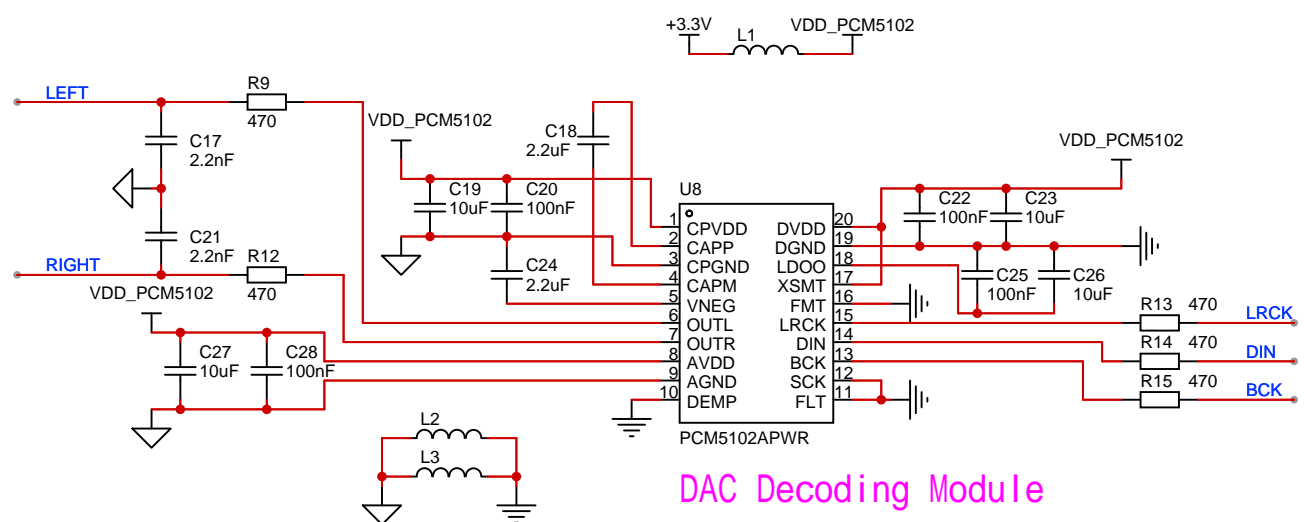
Serial Output

I/O Output

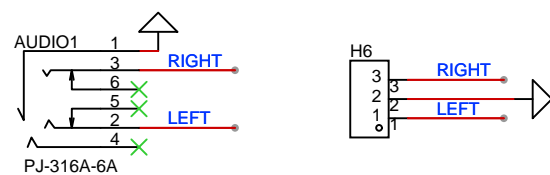
T_Display



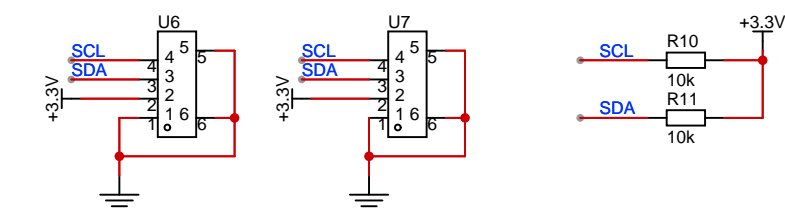
I/O Extension Module



DAC Decoding Module



3.5mm Out Line



1mm Qwiic

Title: **T-Display-S3-MIDI** Ver: **V1.1**

Company: **LILYGO** License: **GPL 3.0**

Data: **2023-06-09** LastEditTime: **2023-07-20**

